

Heavy Duty Dynamic Shockabsorber



Heavy Duty Dynamic Shockabsorber

DNV and BUREAU VERITAS approved shockabsorbers for paravanwinches.

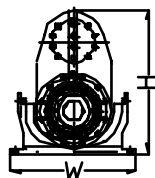
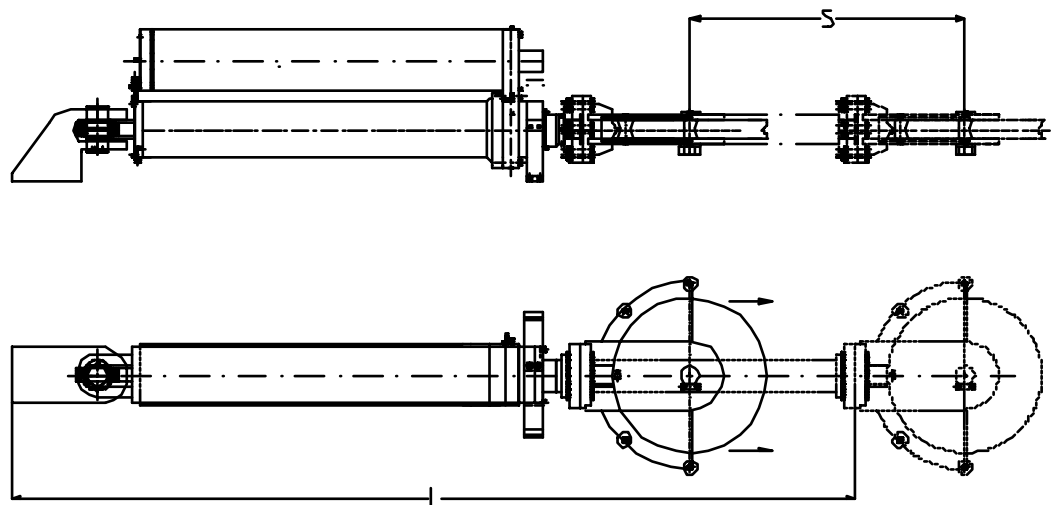
Vestdavit supplies hydraulic shockabsorbers for wire systems exposed to shock tensions. The shockabsorbers have been used on rescue boat davits for more than 15 years, and similar shockabsorbers have been installed on ship cranes.

Larger shockabsorbers from Vestdavit have been installed on several seismic vessels to reduce the shocks in the wide tow wires. These shockabsorbers are designed for wire pull of up to 80 tons on wire.

Puller type:

| SWL | | Weight * complete | L | H | W | S |
|-------|----------------|-------------------|---------|--------|--------|---------|
| 40 T | (20 T on wire) | 1875 kg | 3395 mm | 625 mm | 440 mm | 1900 mm |
| 80 T | (40 T on wire) | 2650 kg | 3650 mm | 732 mm | 597 mm | 1900 mm |
| 120 T | (60 T on wire) | 4050 kg | 3980 mm | 838 mm | 708 mm | 1900 mm |
| 160 T | (80 T on wire) | 5100 kg | 4150 mm | 949 mm | 820 mm | 1900 mm |

* Weight including sheave + sheave housing



Sheave sizes - Standards:

| | Grove dia. | Height |
|-------------|----------------|--------|
| 120 - 160 T | 1000 - 1200 mm | 140 mm |
| 60 - 80 T | 680 - 1000 mm | 140 mm |
| 40 | 600 - 800 mm | 140 mm |

Extra equipment:

Instruments for loadsensing and length measuring. (Load cells)

Shut off valve, to deactivate shockabsorber. Also remote controlled (driven by accumulator energy)

Gas booster system, to adjust stiffness on shockabsorber.(driven by ships air)