

Davit for FRC / MOB Boat

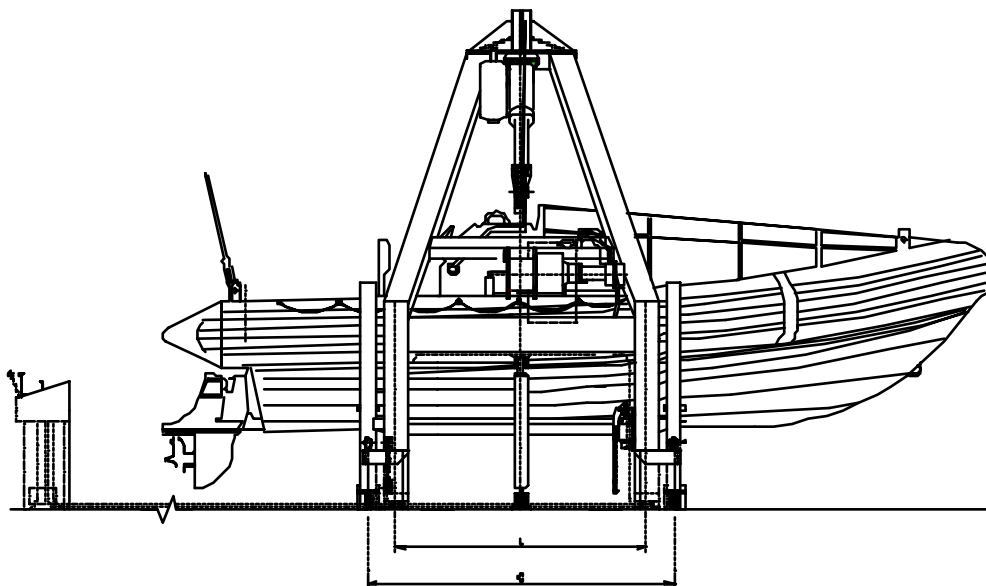
VESTDAVIT PLR- type



VESTDAVIT PLR- TYPE

Single point davit of compact design for MOB and work boats. With guiding frame.

- Typical users** : Seismic vessels, Ferries and Navy vessels.
Capacity : 2000-12500 kg
Power : Hydraulic+ stored power after latest SOLAS
Optional equip. : Dynamic shockabsorber, Self tension winch system
 hydraulic line puller, hydraulic end stop.
Approvals : NMD, MSA, DNV
Certificate : CE marking according to the Marine Equipment Directive



Main dimensions (mm)					
Type	A	B	C	H	L
PLR-2000	930	2750	1740	3375	2140
PLR-3250	1028	3150	2620	4260	2140
PLR-3600	1068	3420	2620	4115	2140
PLR-5000	1068	3458	2620	4115	2140
PLR-7000	1195	4300	3500	5260	2800
PLR-10000	1380	4375	3500	5260	2800
PLR-12500	1500	4432	3500	6423	2750

S = Tension in cylinder
 L = Distance between leg center
 C = Distance between leg centers guiding

Technical specifications (kg)			
Type	SWL	Weight	S
PLR-2000	2000	1550	8900
PLR-3250	3250	2500	10225 x 2
PLR-5000	5000	2800	10988 x 2
PLR-3600	3600	2650	15820
PLR-7000	7000	4200	16107 x 2
PLR-10000	10000	4500	20450 x 2
PLR-12500	12500	5400	25565 x 2

