

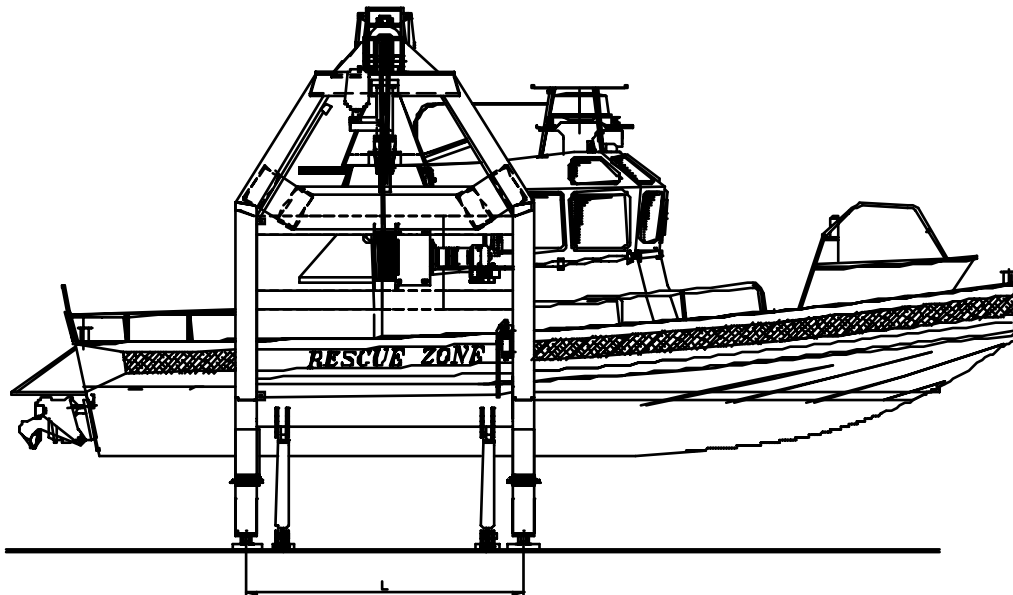
FRDC 3 axes compensated davit
VESTDAVIT PAP- type



VESTDAVIT PAP-TYPE

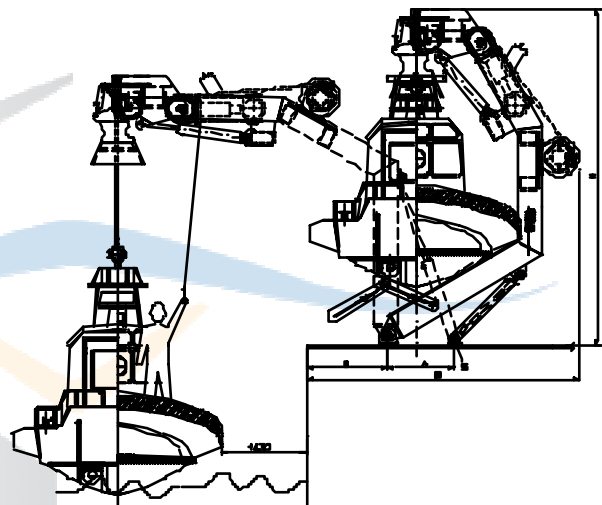
The PAP type davit is a single point davit for MOB's. The davit is characterized by it's compact design and it's Anti-Pendulation Device.

- Typical users : Merchant vessels, Ferries, High Speed Ferries, Supply vessels, Navy and Coast Guard.
- Capacity : 3000 - 15000 kg
- Power : Hydraulic
- Equipment : Hydraulic Shockabsorber, Self tension, Anti-Pendulation, Line Puller, Hydraulic Endstop.
- Approvals : NMD, MSA, DNV - other approval by request
- Certificate : CE marking according to the Marine Equipment Directive



Type	SWL	Weight	S
PAP-3000	3000	3000kg	2x9000
PAP-8000	8000	6000kg	2x24200
PAP-10000	10000	6500kg	2x30575

Main Dimension:					
Type	a	A	B	H	L
PAP-3000	565	1160	3450	3850	2140
PAP-8000	1370	1115	4500	5595	2800
PAP-10000	1370	1115	4500	5595	2800



S = Tension in cylinder
L = Distance between leg center