

Davit for FRC / MOB

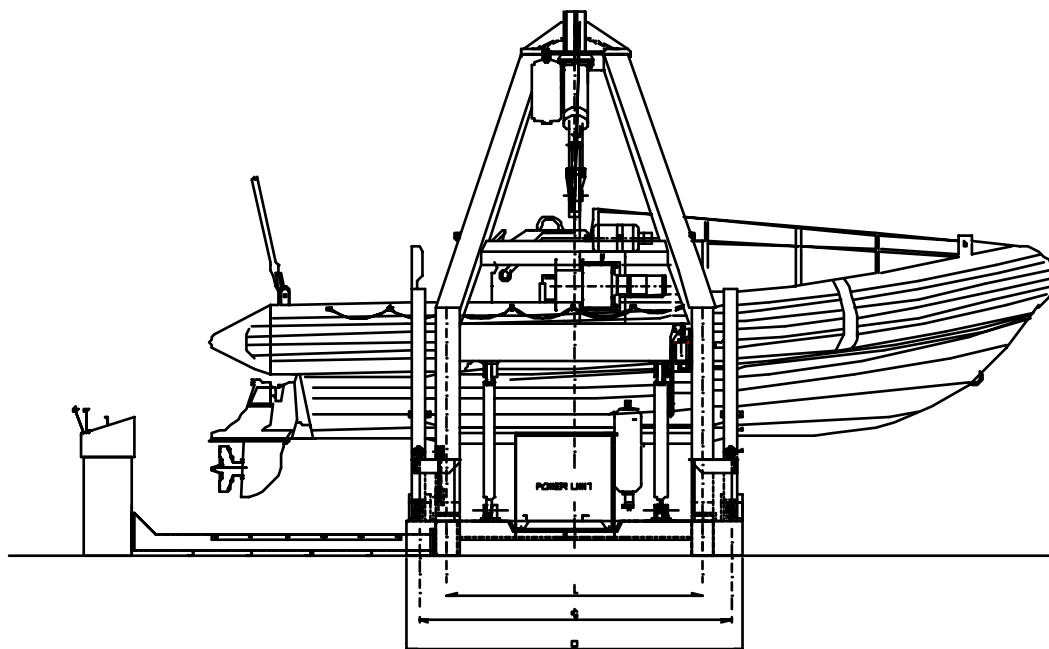
VESTDAVIT PLR- type, Navy version



VESTDAVIT PLR- Navy version

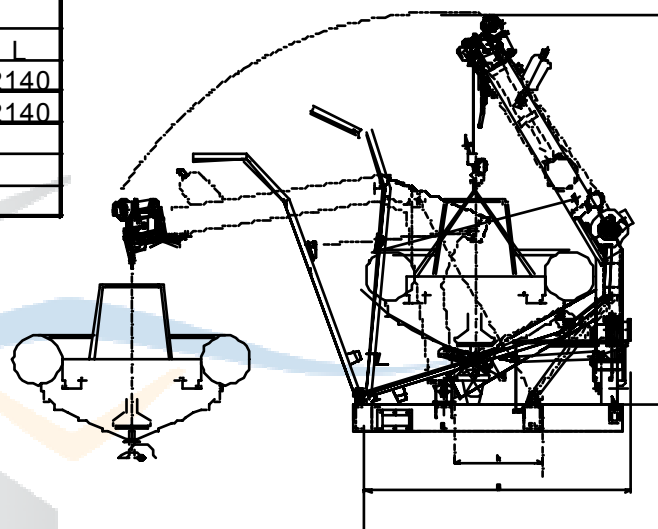
Single point davit of compact design for MOB boats, work boats. With guiding frame. Minimized hydraulic hoses. Equipped with stainless or corrosion proof valves and fittings. Stainless steel submerged power pack as standard.

- Typical users** : Navy vessels.
Capacity : 2000-12500 kg
Power : Hydraulic+ stored power after latest SOLAS
Equiped with : Dynamic shockabsorber, Self tension winch system hydraulic line puller, hydraulic end stop.
Approvals : NMD, MSA, DNV
Certificate : CE marking according to the Marine Equipment Directive



Main dimensions (mm)					
Type	A	B	C	H	L
PLR-3250	1028	3150	2620	4260	2140
PLR-3600	1068	3420	2620	4115	2140
Skid version		B	D	H	
PLR-3250		3150	2800	4560	
PLR-3600		3420	2800	4560	

Technical specifications (kg)			
Type	SWL	Weight	S
PLR-3250	3250	2500	10225 x 2
PLR-3600	3600	2650	15820
Skid version			
PLR-3250	3250	3450	
PLR-3600	3600	3650	



S = Tension in cylinder
 L = Distance between leg center
 C = Distance between leg centers guiding

Skid in steel or aluminium