

Lifeboat davit for offshore Installations

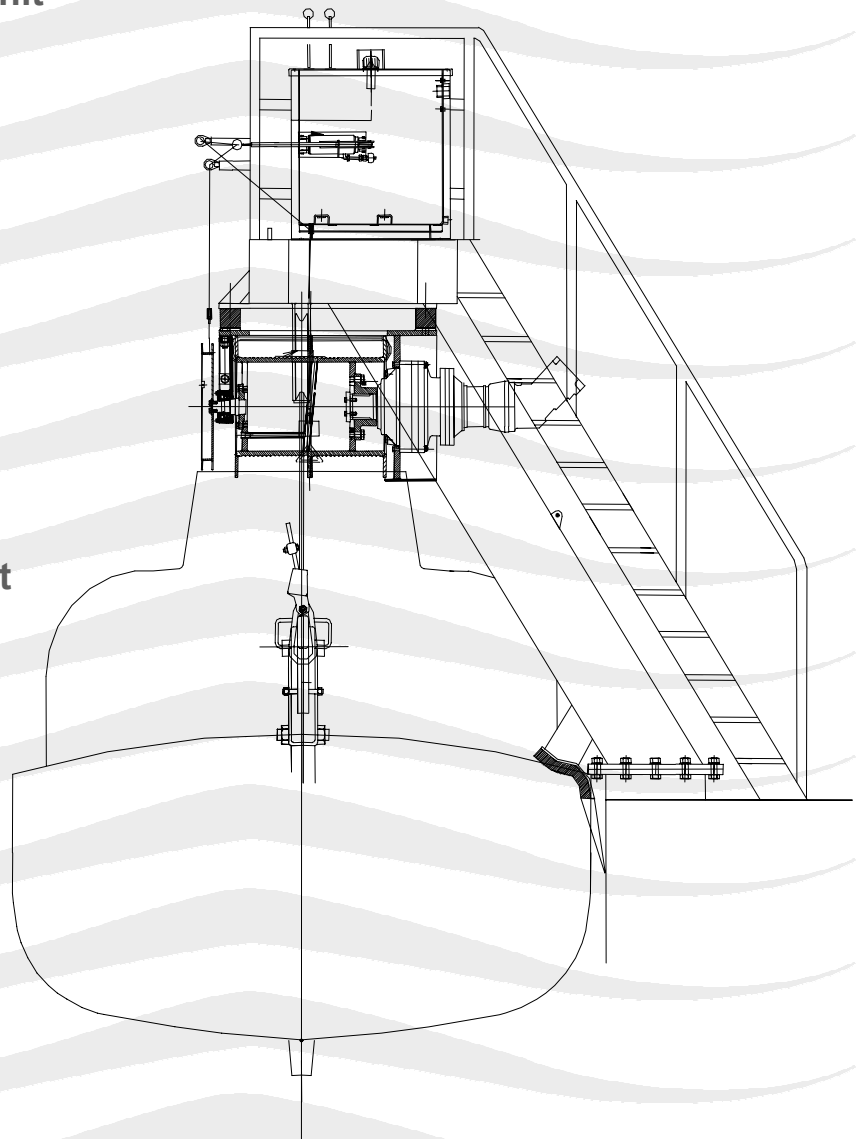
Vestdavit A-type

General description:

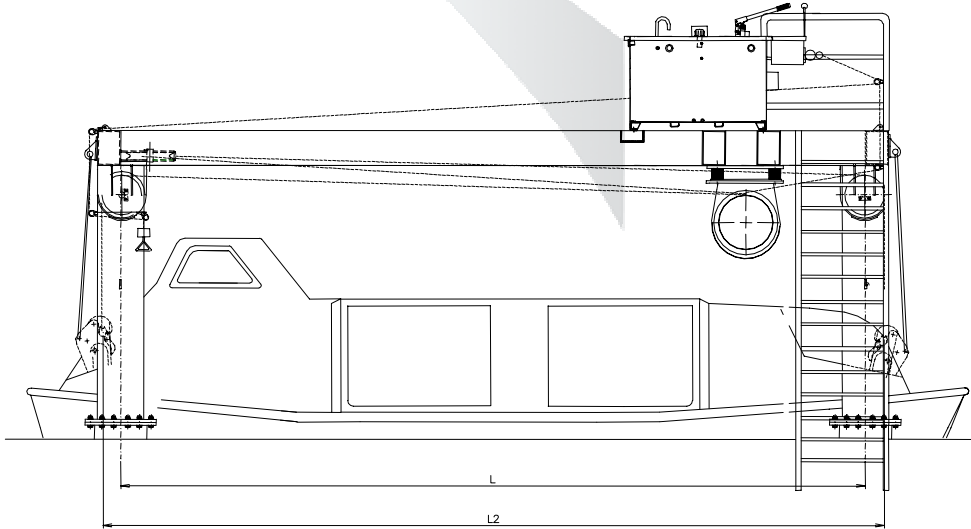
- VESTDAVIT davits are 100% hydraulic operated.
- Emergency system according to SOLAS and IMO regulations
- Shock Absorber System
- Self Tension System
- El. Hydraulic Power Unit
- Hydraulic Guiding

SPECIAL FEATURES:

- Easy to operate
- Low maintenance cost
- Functional design



LIFEBOAT DAVIT TYPE A



Main Dimension:					
Type	a	b	h	L	L2
A-7000	1537	250	3735	6390	7200
A-10000	1537	590	3735	6390	7200

L = Distance between leg center
L2 = Hook distance

Technical specifications:			
Type	SWL	Weight	Wire fall
A-7000	7000 kg	3200 kg	single
A-10000	10000 kg	3780 kg	single

